

technogamma



Compact contemporary design with touch buttons



Flexible control by user adjustable parameters



Multiple protections of the solar system



Holiday mode



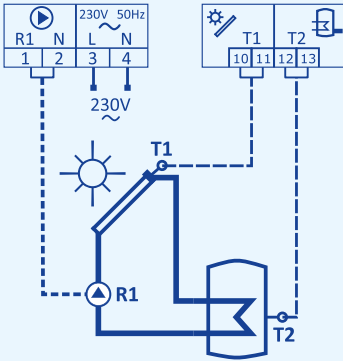
Enhanced thunderstorm resistance



DIFFERENTIAL THERMOSTAT

FOR SOLAR SYSTEMS

www.technogamma.bg



ELECTRICAL CONNECTION

R1	PUMP	RELAY OUTPUT		5A / 1kW	
T1	COLLECTOR	or	NTC ^{10K} Collector	standard	-40 ... 125 °C
		or	Pt1000 Collector	optional	-40 ... 200 °C
T2	BOILER		NTC ^{10K} Boiler		-40 ... 125 °C

SPECIAL MODES

- ◆ Holiday
- ◆ Pump test



PROTECTION

- ◆ damaged temperature sensor
- ◆ boiler overheating
- ◆ collector freezing
- ◆ collector overheating
- ◆ circulation pump blocking

USER AND SERVICE PARAMETERS

USER PARAMETERS			min	set	max	
tbo	BoilSet	Boiler set temperature	20	70	80	°C
dt	DT	Temperature difference Coll – Boil	2	5	40	°C
Co_	CollMin	Collector minimal temperature	10	40	80	°C
SERVICE PARAMETERS			min	set	max	
P 1 HYS	HYS	Hysteresis	0,5	2.0	10.0	°C
P 2 t1	T1Type	T1 temperature sensor type	NTC	NTC	Pt1000	
P 3 Pon	PumpOnMin	Pump minimal ON time	0	10	240	sec
P 4 Cool	BoilCool	Boiler cooling enable, in case of exceeding the set temperature	ON	ON	OFF	
P 5 Hol	HoliBoilSet	Holiday mode – boiler set temperature	20	40	70	°C
P 6 CFE	CollFreeze	Collector freeze temperature	-30	10	15	°C
P 7 Co^	CollMax	Collector protection temperature	90	115	125	°C
P 8 bo^	BoilMax	Boiler overheat temperature	80	92	100	°C
P 9 bo_	BoilMin	Boiler minimal temperature to enable collector defrosting	5	15	30	°C
RESET	Reset	Factory reset of all parameters	NO	NO	YES	